

Covert series | IP marine camera

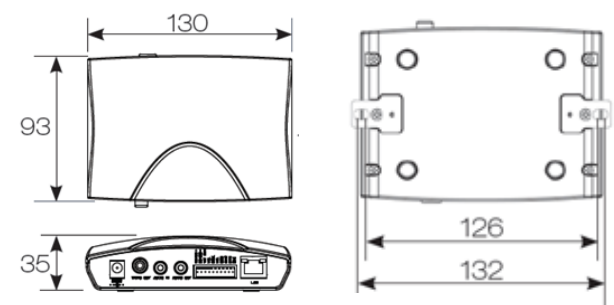
IPC0422E4

Stainless IR IP Dome Camera

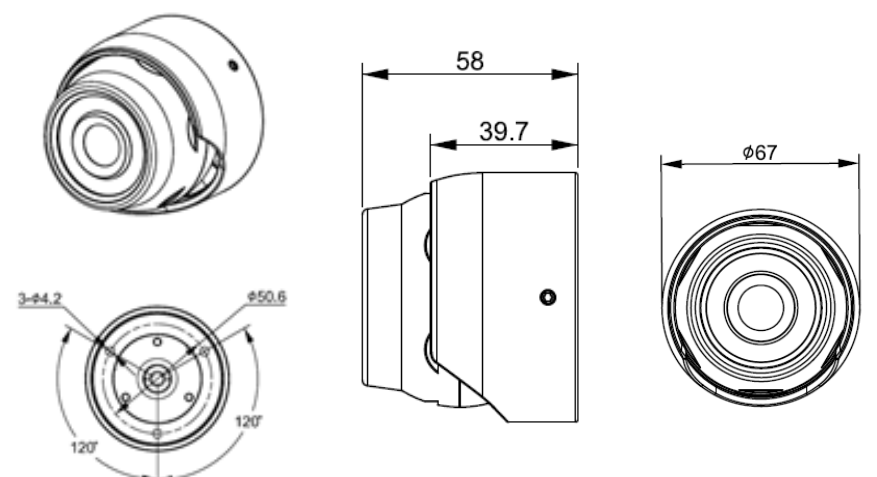


- ▶ Outdoor IP marine camera
- ▶ Digital PTZ supported
- ▶ IP66 rain and dust resistant
- ▶ 16-meter infrared night vision
- ▶ 1080p resolution @ 30fps

Dimensions: (unit: mm) – the main unit
 Body : 130mm(W) x 35mm(H) x 93mm(D)



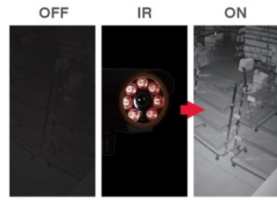
Dimensions: (unit: mm) – camera unit
 Ø67 x 58mm



Marine day/night dome IP camera ideal mounting on everything from boats to vehicles. The camera comprises SUS316 stainless steel camera housing designed to protect corrosive and industrial environments. Covert series marine IP camera IPC0422E4 provides HD live and recorded video. LILIN covert IP camera comprises a main unit and a separate camera unit which allows them to be mounted apart. The main unit and the camera unit are connected together by 6-meter long cable in providing definite flexibility to place the camera unit in one place and the main unit else where.

Built-in IR Illumination

IPC0422E4 IP camera with infrared (IR) illumination where IR LEDs are built-in. Built-in with IR LED, the camera provides night vision up to 16 meters



ONVIF-compliant

Open Network Video Interface Forum (ONVIF) is a standard for physical IP based security products. IPC0422E4 camera is ONVIF Profile S conformant



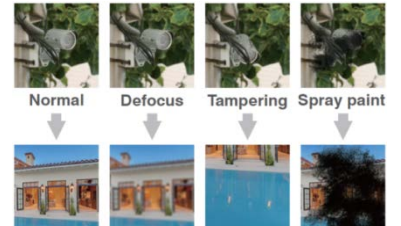
Video Security App

Available on Android and iOS – **LILINViewer** app provides security alarm push notification, real-time live viewing, and remote video playback



Tamper Detection

Automatically detects camera sabotage or failure. Detects any attempts to tamper with the camera - partially or completely blocking its lens or field of view



SD Cards in Sync with NAV Software

IPC0422E4 camera with built-in Micro SD/SDHC card slots can provide redundant video viewing and recording. You can synchronize an SD card with LILIN VMS (Video Management Software) - Navigator (NAV)



Sense Up+

Deliver outstanding video outputs in poor light conditions without experiencing motion blur. You can see video clearly even during nighttime without sufficient lighting support



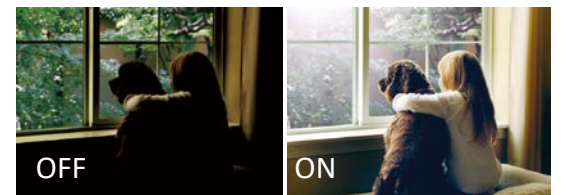
Wind and Rain Standards

Meet international IP66 standards for dust and moisture resistant allowing you to install cameras in environments subject to wind and rain



Back Light Compensation

Back Light Compensation (BLC) adjusts the exposure of the entire image to properly expose the subject in the foreground. No matter if the main object is moving toward left, right, upper, lower, or any location in the screen, BLC provides perfect exposure for an object in front of strong back light



3D Noise Reduction

Remove noise from a signal. Suppressing noise in an image in low light conditions and able to retain quality videos at the same time



Wide Dynamic Range (WDR)

Wide Dynamic Range (WDR) displays details of both the brightest and darkest areas. WDR can extend image visibility under high contrast lighting scenes and improve image quality



Motion Detection

Detect motion and capture the event. Motion in the selected area will provoke an alert.



Privacy Masking

Privacy Masking is a feature used to protect personal privacy by concealing private areas in the camera's field of view. Doorways and house windows for example are not subject to surveillance



Outdoor covert stainless dome IR IP camera (1080P @ 30fps)

Video performance

Model#	IPC0422E4
Low Light Mode	Colour: 0.15 Lux at F2.0; B/W: 0.05 Lux @ F2.0
With Infrared LED	0.0 Lux
2D WDR	Off / Auto / x2 / x3 / x4

Power

Power consumption	DC12V, 7.5W / PoE, 8.5W
PoE	IEEE 802.3af
Power supply	DC12V ±10% Power over Ethernet (IEEE 802.3af compliant)

Sensor

Sensor type	1/2.7" CMOS image sensor
Total sensor pixels	1920 (H) x 1080 (V) = 2,073,600 pixels

Certifications

CE	Yes, EMI CLASSA
FCC	Yes, EMI CLASSA
IP Rating	IP66 waterproof (image sensor module)

Lens

Focal length	4mm
Iris	F2.0
Angle of View	94°(H), 50°(V), 102°(D)

Night vision (infrared LED)

Distance	16m
Peak wavelength	850nm
Beam spread	60° , 90°

Environmental

Operating temperature	-25°C- 50°C (-13°F - 122°F)
-----------------------	-----------------------------

PC requirement

CPU	Intel Pentium 4 1.8GHz or above
OS	Windows 2000, Windows XP, Windows Vista, Windows 7, Windows 8
RAM	1GB or above, Independent Display Card

Mechanical

Dimensions	Main module: 130mm(W) x 35mm(H) x 93mm(D) Image sensor module: Ø67 x 58mm
Weight	Main module: 300g Image sensor module: 700g (Stainless Dome)

Integration

Mobile application	Integrated to LILIN mobile app (LILINViewer) iPhone, iPad, Android support
Video management	ONVIF Profile S LILIN Navigator Enterprise 1.0 Third party VMS through LILIN HTTP API
SD card recording	Support Micro SD/SDHC card for circular recording (card is not included)
Web browser	Microsoft® Internet Explorer® 6.0 and later
Firmware	Firmware upgrade via HTTP Firmware available at merilitin.com
Alarm event triggers	Motion / Tamper / Audio / Alarm / Network loss detection
Alarm event actions	FTP / SMTP / HTTP post / SD card / SAMBA / SNMP Trap / Alarm Output / Push Service notification
Alarm weighted mode	Yes

Video streaming

Video compression	H.264, Motion JPEG
Streaming	RTP/HTTP, RTP/TCP, RTP/UDP, Multicast Multiple configurable streams in H.264 and M-JPEG, configurable frame rate and bandwidth
Bitrate	128Kbps-8Mbps Frame rate and bitrate controllable on-the-fly VBR / CBR / GOP supported
IP address filter	Yes
RTSP Authentication	On / Off

Video resolution (H x V)

1080p HD	1920 x 1080	
720p HD	1280 x 720	
D1	720 x 480	
CIF	352 x 240	
Multiple profile	Profile #1	H.264: up to 30 fps @ 1920 x 1080, MJPEG: up to 30 fps @ 720 x 480
	Profile #2	H.264: up to 30 fps @ 1280 x 720, MJPEG: up to 30 fps @ 352 x 240
	Profile #3	H.264: up to 30 fps @ 1920 x 1080, MJPEG: up to 30 fps @ 1280 x 720
	Profile #4	H.264: up to 30 fps @ 720 x 480, MJPEG: up to 15 fps @ 1920 x 1080

Video functions

Scanning system	Progressive scan
Adjustable picture setting	Contrast, Brightness, Saturation
White balance	Auto / Tungsten / Indoor / Fluorescents1 / Fluorescents2 / Outdoor1 / Outdoor2
Shutter	1/30(1/25) s to 1/8000s
Back light compensation	On / Off
3D noise reduction	Off / 1 to 32 selectable
Privacy masking	Off / On (4 independent areas)
Sense Up	Off / 1 frame / 2 frames / 3 frames / 7 frames
Sense Up+	Yes
Auto gain control	36 dB variable gain
Other functions	Sharpness, Image flip, Image mirror, Hue
D/N quality setting	Yes

Network

Ethernet	10/100 Mbps Base-T (Tx), RJ-45
Connectivity	ONVIF Profile S
User accounts	8 simultaneous users
ePTZ & Digital zoom	Yes, ROI is supported
OSD	Text overlay for date, time and camera name
CPU, Memory	Embedded SoC ARM11, 528MHz, 256MB DDR2, 256MB flash memory
Video display	LILIN Universal ActiveX & LILIN Java Applet
OS	Embedded Linux 2.6.32
Audio	Two-way Audio, G.711 u-law / PCM, External Microphone Required
Protocols	IPv4, IPv6, TCP, UDP, HTTP, SMTP, NTP, DDNS, UPnP, FTP, ARP, DHCP, PPPoE, DNS, RTSP, RTCP, Telnet, ICMP, IGMP, ONVIF Profile S, SNMP, SIP, Bonjour
Multi IP address	Yes

Network security

Max number of online users	10 user accounts available
Access	Multiple user access levels with password protection
Encryption	Base 64 HTTP encryption

Input / output

Live video output	CVBS 1.0Vp-p, 75 ohm, RCA connector
Audio input / output	Mono, 1.4 Vp-p, 50 KΩ, 3.5mm phone jack
Alarm input / output	Digital 2 input (TTL, +3-5VDC) / 1 Output (Relay dry contact N.O. / N.C., Load max. 24VDC/1A)

Others

Image Sensor Module Input	RJ-12, 6 Pins
Control Interface	RS-485, Half-Duplex, support MLP2, Pelco D/P protocols
Sensor Input Interface	Temperature, humidity, PIR and light intensity reading interfaces (optional)

www.e-rong.co.th

E-mail : sales@e-rong.co.th

Line official ID : @e-rongconsultants



Thailand : E-Rong Consultants Co.,Ltd.

E-Rong Consultants Co., Ltd.
THINK OF TECHNOLOGY THINK OF E-RONG

Tel : 02-664-6588 | E-mail : sales@e-rong.co.th