

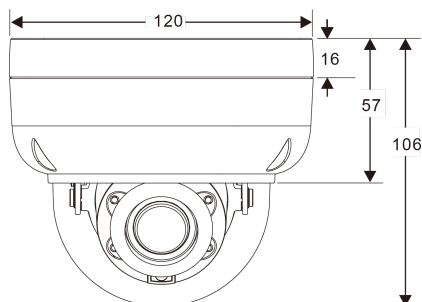
# MR6442AX 4MP Day & Night Vari-Focal IR Vandal Resistant Dome IP Camera



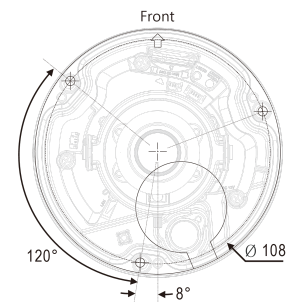
- ▶ Full HD 4 megapixel CMOS image sensor
- ▶ 1080P True H.264 AVC High Profile video compression
- ▶ H.264 and Motion JPEG multi-profile video streaming
- ▶ HDR function up to 100dB
- ▶ High efficiency IR LED, radiant distance up to 30m
- ▶ Day & Night (IR cut removable)
- ▶ 3-Axis construction
- ▶ ONVIF Profile S supported
- ▶ IP67 rain and dust resistant
- ▶ Vandal resistant approve

## Dimensions

Ø 120 × 106 mm



## Diagram of mounting holes:(unit in mm)



## Wind and Rain Standards

Meet international IP67 standards for dust and moisture resistant allowing you to install cameras in environments subject to wind and rain



## Impact Resistant

IK10-certified housing designed to protect the camera from destructive behavior



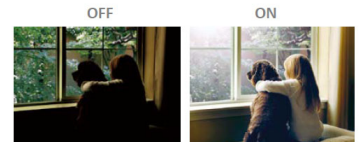
## Day and Night Operations via Removal of the IR-cut filter

MR6442AX camera was designed using a mechanical IR cut filter for increased IR sensitivity resulting in improved night time images. The removable IR-cut filter allows day and night operations even in the low lux condition providing outstanding vision



## Back Light Compensation

Back Light Compensation (BLC) adjusts the exposure of the entire image to properly expose the subject in the foreground. No matter if the main object is moving toward left, right, upper, lower, or any location in the screen, BLC provides perfect exposure for an object in front of strong back light



## Sense Up+

Deliver outstanding video outputs in poor light conditions without experiencing motion blur. You can see video clearly even during nighttime without sufficient lighting support



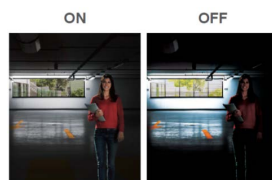
## 3D Noise Reduction

Remove noise from a signal. Suppressing noise in an image in low light conditions and able to retain quality videos at the same time



## Wide Dynamic Range (WDR)

Wide Dynamic Range (WDR) displays details of both the brightest and darkest areas. WDR can extend image visibility under high contrast lighting scenes and improve image quality



## High Dynamic Range

An High Dynamic Range (HDR) image is made by taking 3 frames of the same scene and each at different shutter speeds to display details of both the darkest and brightest areas. HDR can extend image visibility under high contrast lighting scenes and improve image quality



## Privacy Masking

Privacy Masking is a feature used to protect personal privacy by concealing private areas in the camera's field of view. Doorways and house windows for example are not subject to surveillance



## Video Security App

Available on Android and iOS – LILINViewer app provides security alarm push notification, real-time live viewing, and remote video playback



## 4MP Day & Night Vari-Focal IR Vandal Resistant Dome IP Camera

Video Performance	
Model	MR6442AX
Min. Illumination	Color : 0.2 Lux at F1.4 ; B/W : 0.04 Lux at F1.4 ; 0 Lux with IR LED ON

Power and Environment	
Starting Temperature	-10°C – +50°C (14°F – 122°F)
Operating Temperature	-40°C – +50°C (-40°F – 122°F)
Storage Temperature	-25°C – +60°C (-13°F – 140°F)
Humidity	0% – 90% RH
Power Supply	DC12V ±10% / PoE (IEEE 802.3af compliant)
Power Consumption	DC12V, 5.6W / PoE, 7.2W

Lens / Night vision (infrared LED)	
Focal Length	2.8 – 12mm
Iris	F1.4
Iris Control	DC-IRIS
Angle of View	95° (W) – 33° (T) (H) 51° (W) – 18° (T) (V) 109° (W) – 38° (T) (D)
Peak Wavelength	850nm
Beam Spread	60° , 90°
Radiant Distance	30M

Sensor	
Pick Up Element	1/3" CMOS image sensor
Effective Pixels	2688 (H) × 1520 (V) = 4,085,760 (Pixels)

Certifications	
CE	Yes, EMI CLASS B
FCC	Yes, EMI CLASS B
IP Rating	IP67
Vandal Resistant Rating	IK10

PC Requirements	
CPU	Intel® Core™ i3 or higher grade
OS	Windows 7 or above
RAM	4GB or above, Dedicated Graphics Card
Web browser	Microsoft® Internet Explorer® 9 or above

Mechanical	
Dimension	Ø 120 × 106 mm
Weight	720g approx.

Input / Output	
Audio Input / Output	Mono, 1.98Vp-p, Terminal block
Audio	Two-way Audio, G.711 u-law / PCM / AAC, External Microphone Required
Alarm Input / Output	Digital 1 input (TTL, +3 – 5VDC) / 1 Output (MOS Relay contact N.O., Load max. 40VDC/300mA), Terminal block
Live Video Output	CVBS 1.0Vp-p, 75 ohm, connector

Video Streaming	
Video Compression	H.264 main and high profile, Motion JPEG
Video Streaming	RTP/HTTP, RTP/TCP, RTP/UDP, Multicast 4 configurable streams in H.264 and Motion JPEG, configurable frame rate and bandwidth
Number of streams	4
Video Bitrate	128Kbps – 12Mbps; Frame rate and bit rate controllable on-the-fly; VBR / CBR / GOP supported; Fixed bitrate; Smart H.264

Network Security	
Encryption	Base64 HTTP encryption
Authentication	Digest HTTP authentication, RTSP authentication, 802.1x, DDNS via HTTPS
Address Filter	IP address filter
Access	Multiple user access levels with password protection
Users	10 simultaneous users
Multi IP address	Yes

Video Resolutions (H x V)	
Resolution	4MP(2688 × 1520), 1920 × 1080 (1080P), 1280 × 960, 1280 × 720 (720P), 720 × 480 (D1), 720 × 576 (D1), 640 × 480, 352 × 240 (CIF)
Maximum Frame Rate	H.264 / MJPEG : up to 20 fps @ 2688 × 1520

Video Functions	
Scanning System	Progressive Scan
Infrared Cut Filter	Auto / Day (Color) / Night (Mono) / Schedule
White Balance	Auto / Tungsten / Indoor / Fluorescents1 / Fluorescents2 / Outdoor1 / Custom
Electrical Shutter	1/30(1/25)s – 1/20000s
Sense Up	Off / 1 Frame / 2 Frames
Sense Up+	Yes
Auto Gain Control	36 dB Variable Gain
3D Noise Reduction	Off / 1 – 32 Selectable
2D WDR	Off / Auto / x2 / x3 / x4 (by normal mode)
High Dynamic Range	Up to 100dB (in HDR mode, 2 shutter line interleave)
Privacy Masking	Off / On (4 zones)
Image Effects	Brightness, Contrast, Hue, Saturation, Sharpness, Mirror, Flip, Lens Distortion Correction
Lens distortion correction (LDC)	Yes

Integration	
Mobile Application	Integrated to LILIN mobile app (LILIN Viewer), iPhone, iPad, Android support
Video Management	ONVIF Profile S, LILIN Navigator Enterprise 2.0, Third party VMS through LILIN HTTP API
SD Card Recording	Support (128GB) Micro SD/SDHC/SDXC card for circular recording (card is not included)
Maintenance	Firmware update via HTTP and IP Scan; Firmware available at website
IVS Basic 1.0	Motion Detection, Tampering Detection, Advanced Motion Detection, Traffic Light Detection, Tripwire Detection, Object Counting
Event Triggers	Motion / Tamper / Audio / Network lost detection
Event actions	FTP / SMTP / HTTP post / SD card / SAMBA
Alarm weighted mode	Yes
Languages	English, Traditional Chinese, Simplified Chinese, Spanish, Italian, Turkish, Russian, Korean, French, Arabic, Hungarian, Japanese

Network	
Ethernet	10/100 Mbps Base-T, RJ-45
ePTZ & Digital Zoom	Yes, ROI (Region of Interest)
OSD	Text overlay for date, time, and camera name
CPU, Memory	Embedded SoC ARM Cortex-A9, 600MHz, 256MB DDR3, 256MB flash memory
OS	Embedded Linux 3.10
Network Protocols	IPv4, IPv6, TCP, UDP, HTTP, HTTPS, SMTP, MQTT, QoS, SNMP, SNMP Trap, NTP, DDNS, UPnP, FTP, ARP, DHCP, PPPoE, DNS, RTSP, RTCP, Telnet, ICMP, IGMP, ONVIF Profile S, SDDP, Bonjour, 802.1x, SSL/TLS
User accounts	10 simultaneous users
Video Display	LILIN Universal ActiveX & HTML5

